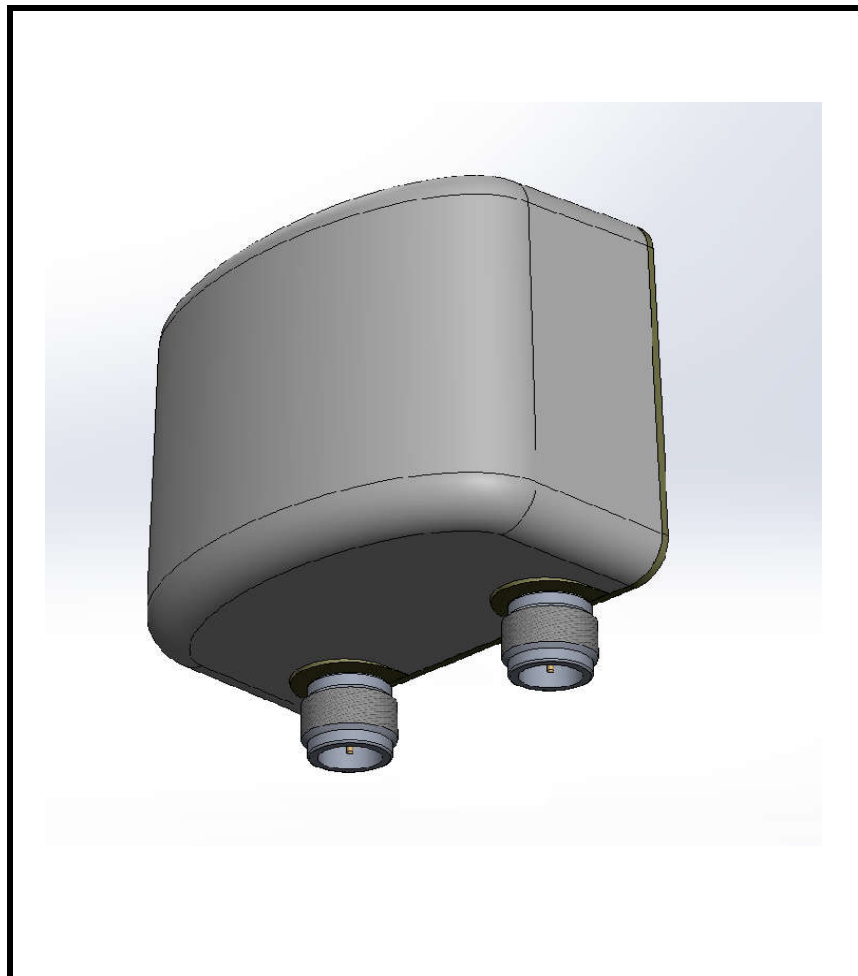


DUAL SLANT DIVERSITY ANTENNA (MIMO)

P/N: 97002



Provisional Specification

ELECTRICAL

Frequency	: 2.0 - 2.7 GHz
Polarisation	: DUAL SLANT $\pm 45^\circ$
Beamwidth (HPBW)	: Az 70° x El 63°
Gain	: 6 dBi
VSWR	: 1.5:1 Typ
Isolation	: >15 dBi
Power Rating	: 50W
Front to Back	: -15 dB

MECHANICAL

Connector	: N Type (m) x2
Dimensions	: 120 x 100 x 66 mm
Weight	: 300 grams
Standard Finish	: White with Alu Backplate
Temperature	: -40°C to 70°C
Wind Loading	: 16.75 N @ 100MPH

Issue 1/051021

